

# 1.25Gbps SFP Transceiver (USFP-1LR)

1310nm Single mode 20km Dual LC

## Features

- Up to 1.25Gbps data links
- 1310nm wavelength FP laser
- Hot-Pluggable
- Dual LC connector
- Up to 20 on 9/125µm SMF
- LVPECL compatible data input/output interface
- Monitoring Interface Compliant with SFF-8472
- Compliant to IEEE 802.3Z Gigabit Ethernet & SFP MSA
- Manufactured in an ISO 9001 compliant facility
- Operating temperature range: 0°C to 70°C
- ROHS-6 Compliant
- Power supply: +3.3V



## Applications

- Ethernet Switch and Enterprise Router
- Metro Ethernet and Fibre Channel
- Other Optical Links

## Compatible brands list:

Huawei; Juniper; CISCO; HP; SIENA; BTS Huawei station equipment; Ericsson; Nokia, ZTE, Extreme...

## Part numbers

<i>P/N</i>	<i>Data Rate</i>	<i>Wavelength</i>	<i>Connector</i>	<i>Distance</i>
USFP-1LR	1.25Gbps	1310nm	LC	20km

## Absolute Maximum Ratings

Parameter	Symbol	Min.	Typical	Max.	Unit
Storage Temperature	T <sub>S</sub>	-40		+85	°C
Case Temperature	T <sub>C</sub>	0		70	°C

1.25Gbps SFP Transceiver (USFP-1LR)  
1310nm Single mode 20km Dual LC

Supply Voltage	V <sub>CC</sub>	-0.5		4	V
Relative Humidity	RH	5		95	%

**Recommended Operating Environment:**

Parameter	Symbol	Min.	Typical	Max.	Unit
Case operating Temperature	T <sub>C</sub>	0		70	°C
Supply Voltage	V <sub>CC</sub>	3.14		3.47	V
Supply Current	I <sub>CC</sub>		200	300	mA

**Electrical Characteristics (T<sub>OP</sub> = 0 to 75°C, V<sub>CC</sub> = 3.14 to 3.47 Volts)**

Parameter	Symbol	Min.	Typical	Max.	Unit	Note
<b>Transmitter Section:</b>						
Input differential impedance	R <sub>in</sub>	90	100	110	Ω	1
Data Input Swing Differential	V <sub>in</sub>	500		2400	mV	
Transmit Disable Voltage	V <sub>D</sub>	V <sub>CC</sub> – 1.3		V <sub>CC</sub>	V	2
Transmit Enable Voltage	V <sub>EN</sub>	V <sub>EE</sub>		V <sub>EE</sub> + 0.8	V	
<b>Receiver Section:</b>						
Single ended data output swing	V <sub>out,pp</sub>	370		2000	mv	3
Rx_LOS Assert		2.0		V <sub>CC</sub>	V	
Rx_LOS Deassert		0		0.8	V	

Note:

1. AC coupled.
2. Or open circuit.
3. Into 100 ohm differential termination.

**Optical Parameters(T<sub>OP</sub> = 0 to 70°C, V<sub>CC</sub> = 3.14 to 3.47 Volts)**

Parameter	Symbol	Min.	Typical	Max.	Unit	Note
<b>Transmitter Section:</b>						
Center Wavelength	λ <sub>c</sub>	1260	1310	1360	nm	
Spectral Width	σ			4	nm	
Sidemode Supression ratio	SSRmin	30			dB	
Optical Output Power	P <sub>out</sub>	-9		-3	dBm	1
Extinction Ratio	ER	10		15	dB	
Optical Rise/Fall Time	t <sub>r</sub> / t <sub>f</sub>			260	ps	
Relative Intensity Noise	RIN			-120	dB/Hz	

# 1.25Gbps SFP Transceiver (USFP-1LR)

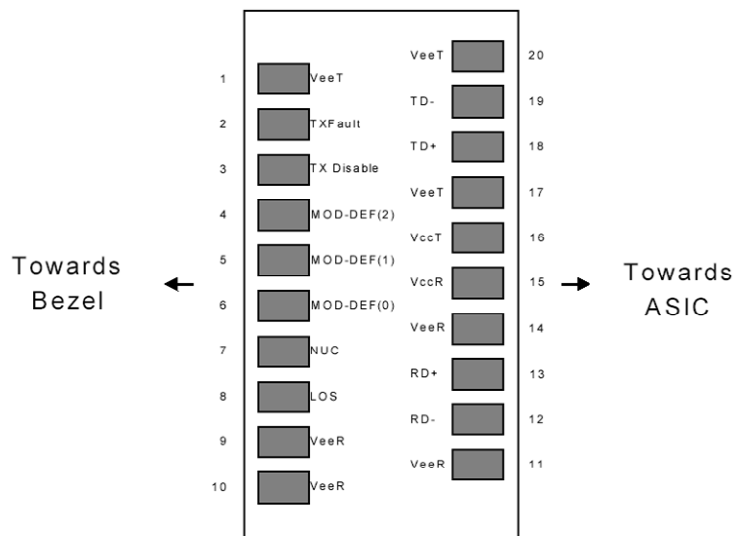
1310nm Single mode 20km Dual LC

Receiver Section:						
Optical Input Wavelength	$\lambda_c$	1260		1620	nm	
Receiver Overload	$P_{ol}$	-3			dBm	
RX Sensitivity	Sen			-22	dBm	2
RX_LOS Assert	$LOS_A$	-36			dBm	
RX_LOS De-assert	$LOS_D$			-23	dBm	
RX_LOS Hysteresis	$LOS_H$	0.5			dB	
General Specifications:						
Data Rate	BR		1.25		Gbps	
Bit Error Rate	BER			$10^{-12}$		
Max. Supported Link Length on 9/125 $\mu$ m SMF@1.25Gb/s	$L_{MAX}$		20		km	

**Note**

1. The optical power is launched into SMF. Class 1 Laser Safety per FDA/CDRH and IEC-825-1 regulations.
2. Measured with PRBS  $2^{7-1}$  at  $10^{-12}$  BER

## Pin Assignment



## Pin Function Definitions

Pin No	Name	Function	Plug Seq	Notes
1	VeeT	Transmitter Ground	1	1
2	TX Fault	Transmitter Fault Indication	3	
3	TX Disable	Transmitter Disable	3	2
4	MOD-DEF2	Module Definition	2	3
5	MOD-DEF1	Module Definition 1	3	3

# 1.25Gbps SFP Transceiver (USFP-1LR)

## 1310nm Single mode 20km Dual LC

6	MOD-DEF0	Module Definition 0	3	3
7	Rate Select	Not Connected	3	4
8	LOS	Loss of Signal	3	5
9	VeeR	Receiver Ground	1	1
10	VeeR	Receiver Ground	1	1
11	VeeR	Receiver Ground		1
12	RD-	Inv. Received Data Out	3	6
13	RD+	Received Data Out	3	6
14	VeeR	Receiver Ground	3	1
15	VccR	Receiver Power	2	1
16	VccT	Transmitter Power	2	
17	VeeT	Transmitter Ground	1	
18	TD+	Transmit Data In	3	6
19	TD-	Inv. Transmit In	3	6
20	VeeT	Transmitter Ground	1	

### Notes:

1. Circuit ground is internally isolated from chassis ground.
2. Laser output disabled on TDIS >2.0V or open, enabled on TDIS <0.8V.
3. Should be pulled up with 4.7k - 10 kohms on host board to a voltage between 2.0V and 3.6V. MOD\_DEF(0) pulls line low to indicate module is plugged in.
4. Rate select is not used
5. LOS is open collector output. Should be pulled up with 4.7k – 10 kohms on host board to a voltage between 2.0V and 3.6V. Logic 0 indicates normal operation; logic 1 indicates loss of signal.
6. AC Coupled

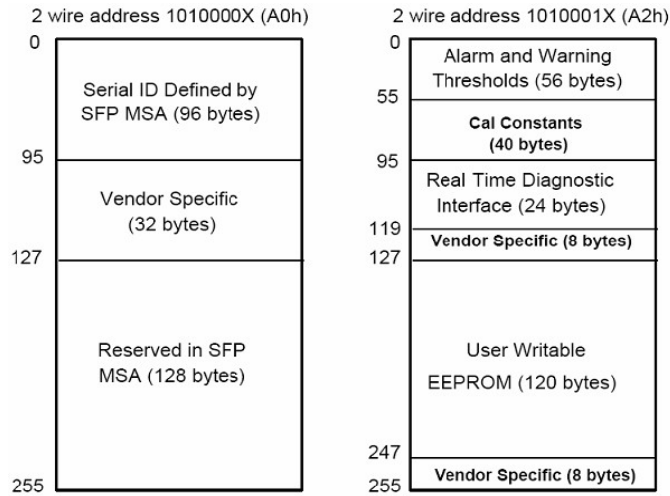
## SFP Module EEPROM Information and Management

The SFP modules implement the 2-wire serial communication protocol as defined in the SFP -8472. The serial ID information of the SFP modules and Digital Diagnostic Monitor parameters can be accessed through the I<sup>2</sup>C interface at address A0h and A2h. The memory is mapped in Table 1. Detailed ID information (A0h) is listed in Table 2. And the DDM specification at address A2h. For more details of the memory map and byte definitions, please refer to the SFF-8472, “Digital Diagnostic Monitoring Interface for Optical Transceivers”. The DDM parameters have been internally calibrated.

**Table 1.** Digital Diagnostic Memory Map (Specific Data Field Descriptions)

# 1.25Gbps SFP Transceiver (USFP-1LR)

1310nm Single mode 20km Dual LC



**Table 2 - EEPROM Serial ID Memory Contents (A0h)**

Data Address	Length (Byte)	Name of Length	Description and Contents
<b>Base ID Fields</b>			
0	1	Identifier	Type of Serial transceiver (03h=SFP)
1	1	Reserved	Extended identifier of type serial transceiver (04h)
2	1	Connector	Code of optical connector type (07=LC)
3-10	8	Transceiver	
11	1	Encoding	NRZ(03h)
12	1	BR, Nominal	Nominal baud rate, unit of 100Mbps
13-14	2	Reserved	(0000h)
15	1	Length(9um)	Link length supported for 9/125um fiber, units of 100m
16	1	Length(50um)	Link length supported for 50/125um fiber, units of 10m
17	1	Length(62.5um)	Link length supported for 62.5/125um fiber, units of 10m
18	1	Length(Copper)	Link length supported for copper, units of meters
19	1	Reserved	
20-35	16	Vendor Name	SFP vendor name
36	1	Reserved	
37-39	3	Vendor OUI	SFP transceiver vendor OUI ID
40-55	16	Vendor PN	Part Number(ASCII)
56-59	4	Vendor rev	Revision level for part number
60-62	3	Reserved	
63	1	CCID	Least significant byte of sum of data in address 0-62
<b>Extended ID Fields</b>			
64-65	2	Option	Indicates which optical SFP signals are implemented (001Ah = LOS, TX_FAULT, TX_DISABLE all supported)

# 1.25Gbps SFP Transceiver (USFP-1LR)

## 1310nm Single mode 20km Dual LC



66	1	BR, max	Upper bit rate margin, units of %
67	1	BR, min	Lower bit rate margin, units of %
68-83	16	Vendor SN	Serial number (ASCII)
84-91	8	Date code	Manufacturing date code
92-94	3	Reserved	
95	1	CCEX	Check code for the extended ID Fields (addresses 64 to 94)
Vendor Specific ID Fields			
96-127	32	Readable	specific date, read only
128-255	128	Reserved	Reserved for SFF-8079

### Digital Diagnostic Monitor Characteristics

Data Address	Parameter	Range	Unit
96-97	Transceiver Internal Temperature	0~70	°C
98-99	VCC3 Internal Supply Voltage	0~Vcc	V
100-101	Laser Bias Current	10~80	mA
102-103	Tx Output Power	-9~-3	dBm
104-105	Rx Input Power	-28~-3	dBm

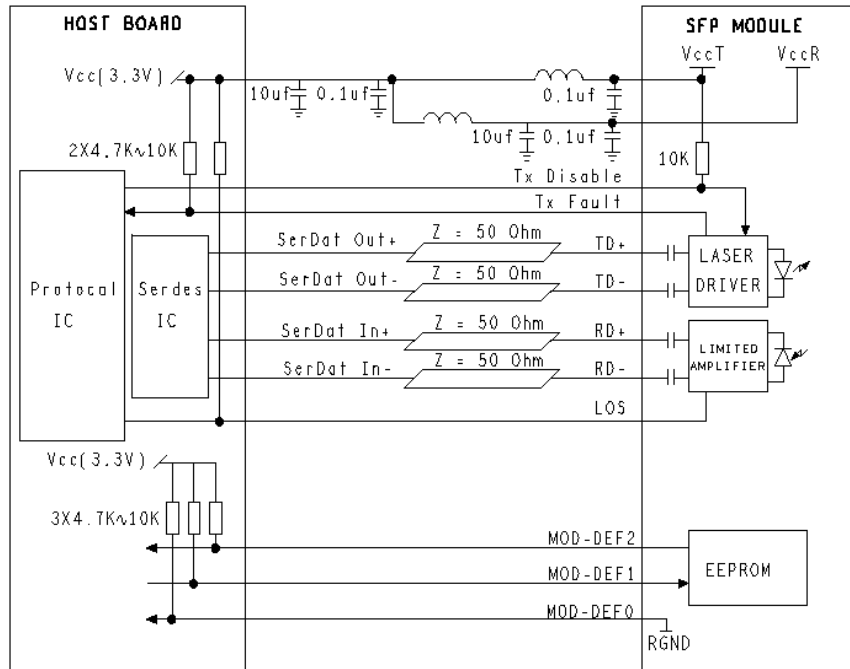
### Regulatory Compliance

Electrostatic Discharge (ESD) to the Electrical Pins	MIL-STD-883E Method 3015.7	Class 1(>1000 V)
Electrostatic Discharge (ESD) to the Single LC Receptacle	IEC 61000-4-2 GR-1089-CORE	Compatible with standards
Electromagnetic Interference (EMI)	FCC Part 15 Class B EN55022 Class B (CISPR 22B) VCCI Class B	Compatible with standards
Laser Eye Safety	FDA 21CFR 1040.10 and 1040.11 EN60950, EN (IEC) 60825-1,2	Compatible with Class 1 laser product

# 1.25Gbps SFP Transceiver (USFP-1LR)

1310nm Single mode 20km Dual LC

## Recommended Circuit



## Mechanical Dimensions

